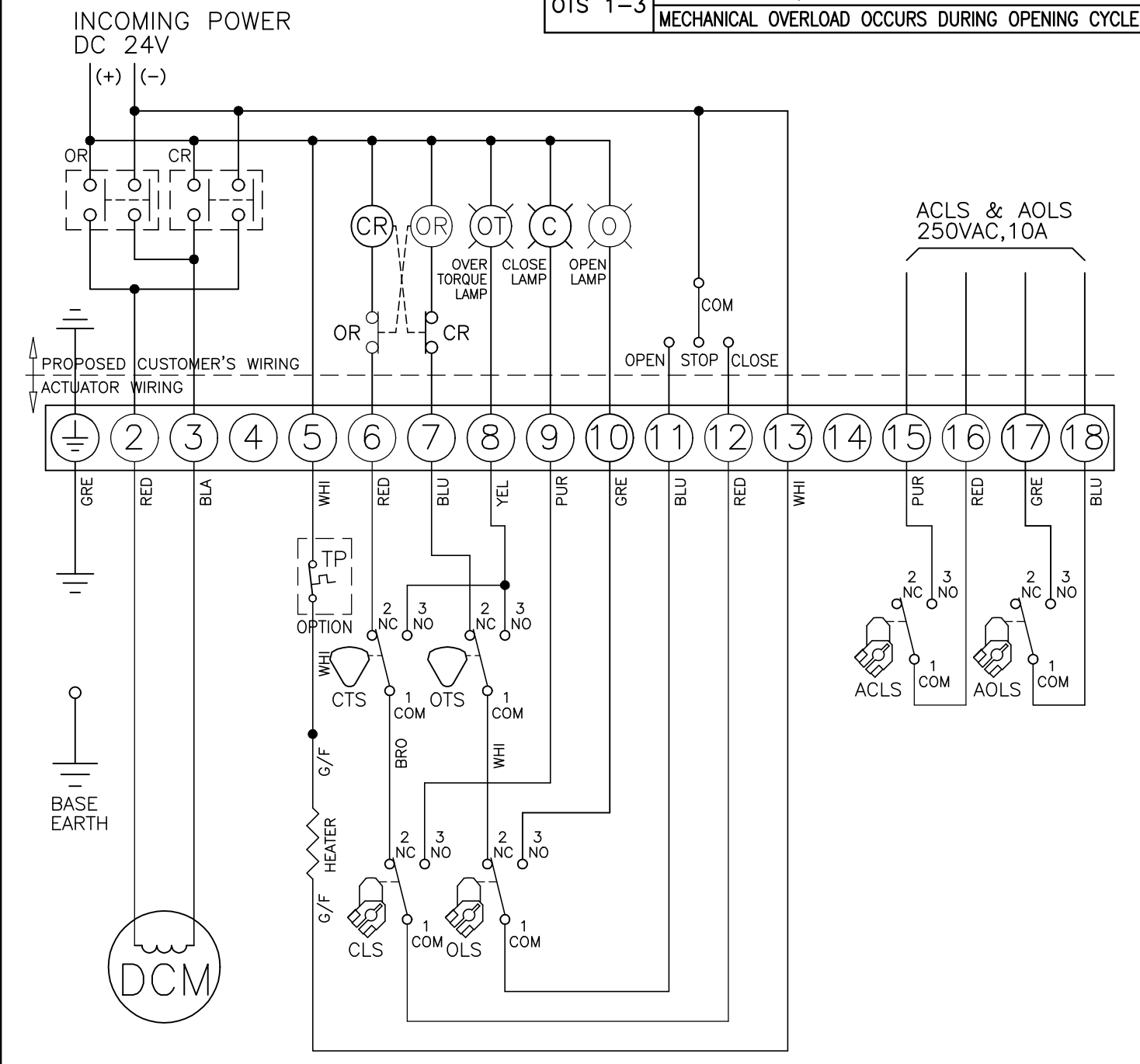


CLS : CLOSE LIMIT SWITCH (250VAC 10A)
 OLS : OPEN LIMIT SWITCH (250VAC 10A)
 CTS : CLOSE TORQUE SWITCH (250VAC 10A)
 OTS : OPEN TORQUE SWITCH (250VAC 10A)
 ACLS: AUX. CLOSE LIMIT SWITCH (250VAC 10A)
 AOLS: AUX. OPEN LIMIT SWITCH (250VAC 10A)
 TP : THERMAL PROTECTOR (250VAC 15A OPTION)
 *EACH ACTUATOR SHOULD BE POWERED THROUGH ITS OWN INDIVIDUAL SWITCH OR RELAY CONTACTS TO PREVENT CROSS FEED BETWEEN TWO OR MORE ACTUATORS.

TORQUE AND LIMIT SWITCHES OPERATION			
SWITCH	CLOSE ←	INTERMEDIATE	→ OPEN
CLS 1-2			
CLS 1-3			
OLS 1-2			
OLS 1-3			
ACLS 1-3			
AOLS 1-3			
CTS 1-3	* CLOSING TORQUE SWITCH INTERRUPTS CONTROL IF MECHANICAL OVERLOAD OCCURS DURING CLOSING CYCLE		
OTS 1-3	* OPENING TORQUE SWITCH INTERRUPTS CONTROL IF MECHANICAL OVERLOAD OCCURS DURING OPENING CYCLE		



 http://www.i-tork.com		DRAWN	DESIGN	CHECKED	APPROVER
		C.S.CHO			C.S.CHO
ITQ-1100	PART NAME DC 24V WIRING DIAGRAM	ISSU. DEPT.	DATE	SIZE	PROGRAM
ITQ-0800		ITCDR	2016.10.01	A4	AUTOCAD
ITQ-0500					LT 2010
ITQ-0350					
ITQ-0240	OPTION NAME STANDARD	WIR No.			
ITQ-0160		ITQ0160-90000-F			
APP'L,FILE					