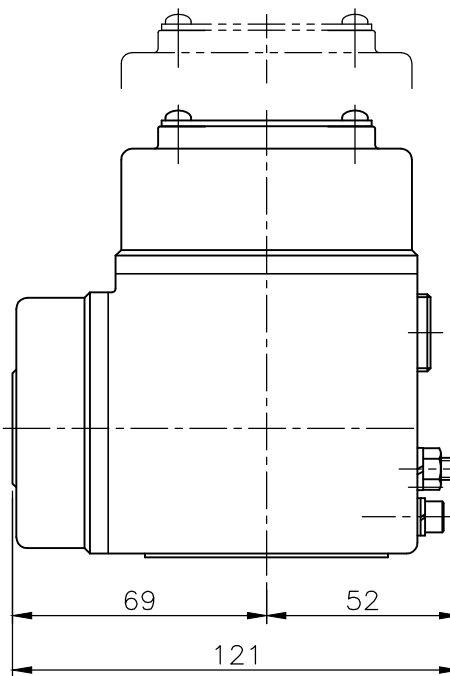
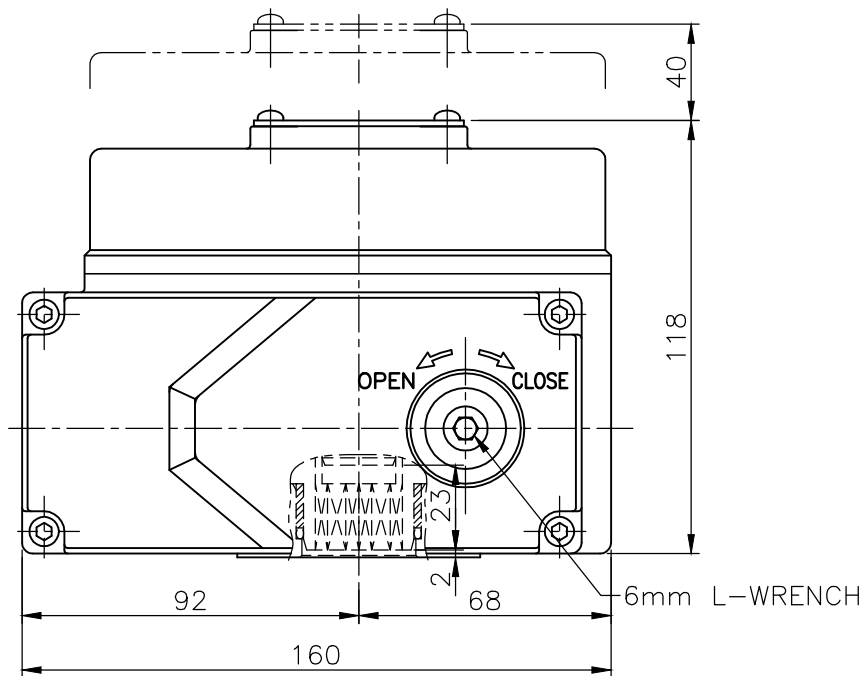


NO	PART NAME	MATERIAL	Q'TY	REMARK
1	BODY	AIDC12	1	
2	TOP COVER	AIDC12	1	
3	WINDOW	PC	1	
4	STOPPER BOLTS	SUS316	2	M6*45
5	CONDUIT ENTRIES		2	M20*1.5
6	BASE	AIDC12	1	
7	DRIVE BUSHING	AIBC3	1	
8				
9				
10				



ITQ0080_1	
APP'L_FILE	

 http://www.i-tork.com				MATERIAL		PROJ.	
DRAWN	DESIGN	CHECKED	APPROVER	DIMENSION	ISSU. DEPT.	HEAT TREAT.	SURF. TRET.
C.J. CHU	C.J. CHU			mm	ITCDR		
PART NAME				SCALE	DATE	SIZE	1/1
ITQ0080 LAYOUT				N/S	'05.10.05	A2	
DWG NO				ITQ0080-50010-A			