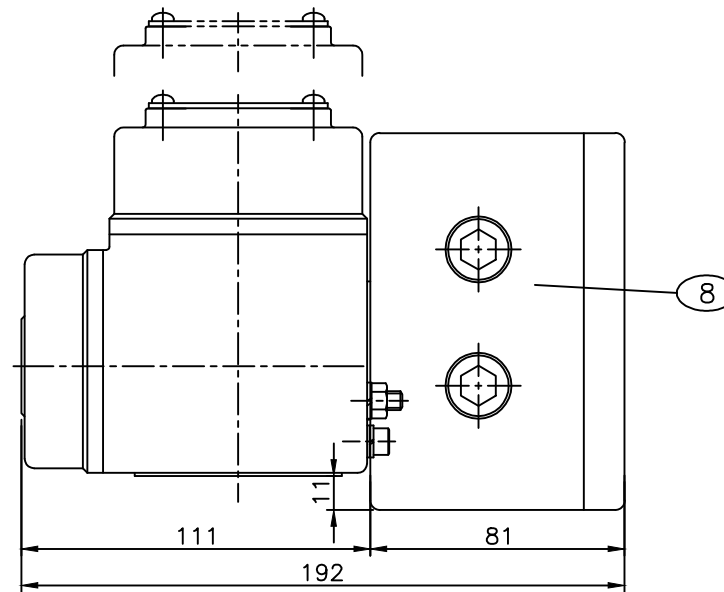
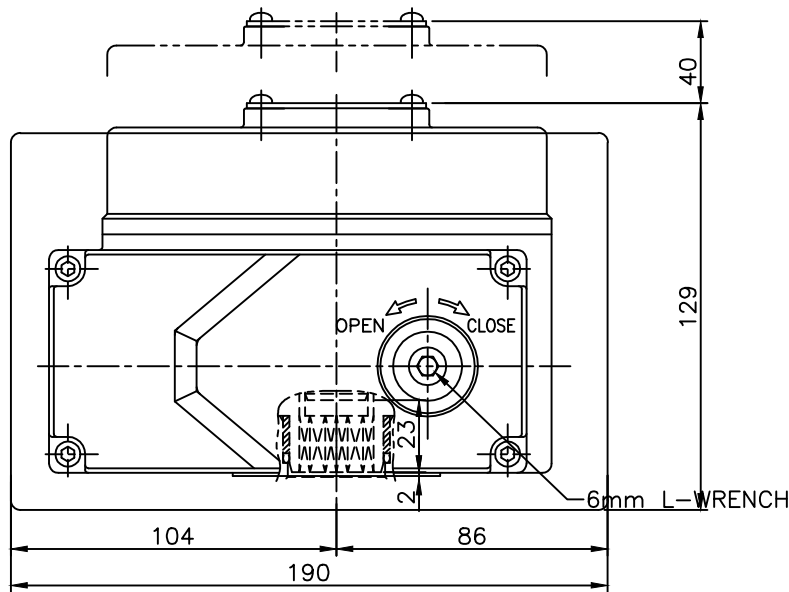
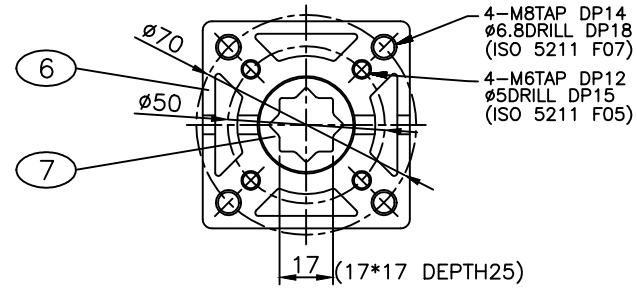
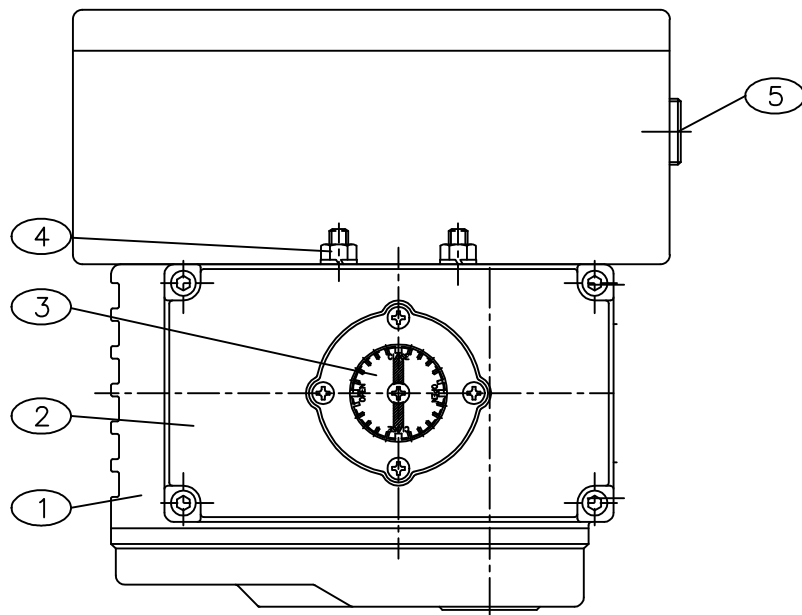


NO	PART NAME	MATERIAL	Q'TY	REMARK
1	BODY	ALDC12	1	
2	TOP COVER	ALDC12	1	
3	WINDOW	PC3022IR	1	
4	STOPPER BOLTS	STS304	2	M6*45
5	CONDUIT ENTRIES		2	M20*1.5
6	BASE	ALDC12	1	
7	DRIVE BUSHING	AIBC3	1	
8	RPC BOX	ALDC12	1	OPTION
9				
10				



ITQ0080	1
APP'L	FILE

i-tork CONTROLS http://www.i-tork.com				MATERIAL		PROJ.	
DRAWN	DESIGN	CHECKED	APPROVER	DIMENSION	ISSU. DEPT.	HEAT TREAT.	SURF. TRET.
C.J. CHU	C.J. CHU			mm	ITCDR		
SCALE		DATE		SIZE		1/1	
N/S		'09.07.28		A2			
PART NAME				DWG NO			
ITQ0080+RPC LAYOUT				ITQ0080-50050-B			