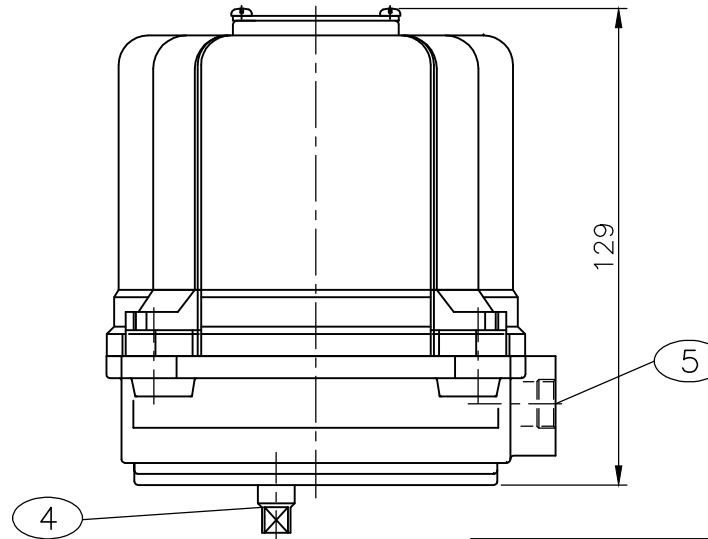
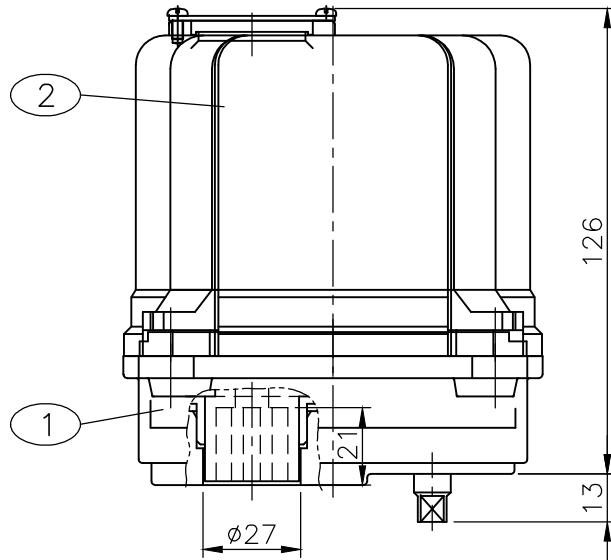
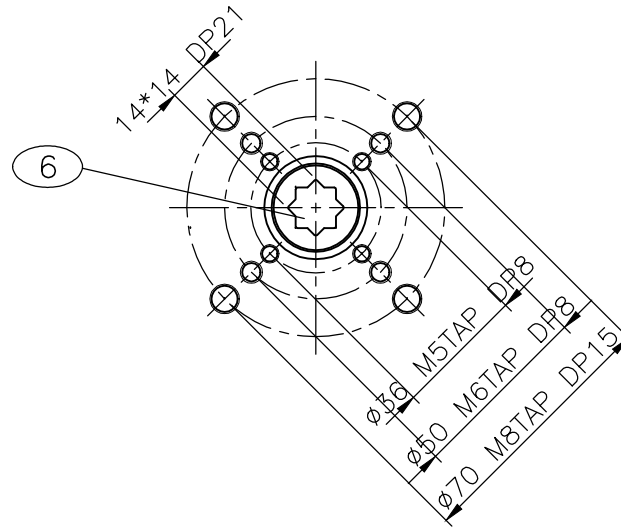
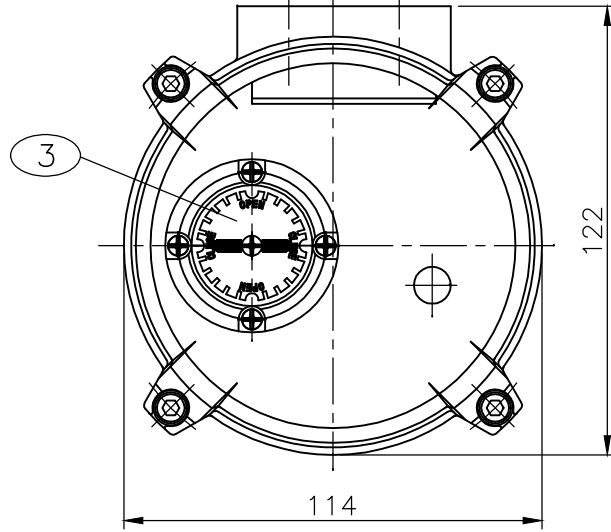


NO	PART NAME	MATERIAL	Q'TY	REMARK
1	BODY	AIDC12	1	
2	TOP COVER	AIDC12	1	
3	WINDOW	PC	1	
4	HANDLE	SCM440	2	M6*45
5	CONDUIT ENTRIES		2	2-PT1"/2
6	DRIVE BUSHING	SMF5030	1	
7				
8				
9				
10				



ITQ0040_1
APP'L,FILE

<b>i-tork CONTROLS</b>				MATERIAL		PROJ.	
<a href="http://www.i-tork.com">http://www.i-tork.com</a>				DIMENSION		HEAT TREAT.	
DRAWN		DESIGN		ISSU. DEPT.		SURF. TRET.	
C.J. CHU		C.J. CHU		mm		ITCDR	
PART NAME		CHECKED		SCALE		DATE	
ITQ0040 LAYOUT				N/S		'10.01.20	
DWG NO		APPROVER		SIZE		1	
ITQ0040-50010-A				A2		1	